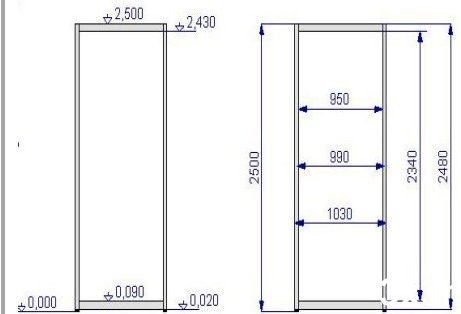


Rent of additional equipment and furniture and examples of standardised equipped-stand

Informative material and pricelist

This file contains information about the most frequently rented furniture and equipment. If you do not find what you are looking for, please contact us and, possibly, we may be able to help.

1. Two visual examples of equipped area in the hall. Furnishing of the stand is up to you.



Equipped stand with 2 open sides

15 sq.m. (5 m wide; 3 m deep). Standard construction performed by the organizer – grey carpet (15 sq.m), standard walls and creation of stand constructions (8 m) and cornice (8 m), provision of stand lighting (5 pcs.) and electrical connection (220V, up to 2kW) with socket.

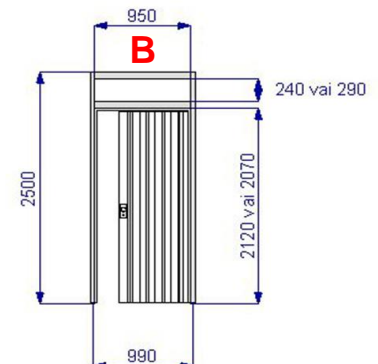
Equipped stand with 1 open sides

9 sq.m (3 m wide; 3 m deep). Standard construction performed by the organizer – grey carpet (9 sq.m), standard walls and creation of stand constructions (9 m) and cornice (3 m), provision of stand lighting (3 pcs.) and electrical connection (220V, līdz 2kW) with socket.

Wall construction parameters.

Height of white panels with construction - 2,500 mm
 Visible white part: 950 mm
 The total size of the panel and construction - 1030 mm.

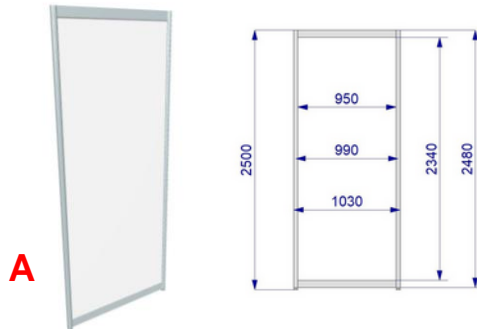
2. Construction of a lockable room in the stand. Example with room of 1x1m



Above you can see a room with area of 1x1m. It is made from 1 standard wall panel and 1 block with sliding doors. The area (size) and configuration of the lockable room can be adapted to your needs!

- A) Wall panel (250x100) (including the construction of the frame structure) – 26.00 EUR + VAT.**
- B) Sliding door block (including frame construction) – 41.00 EUR + VAT.**

3. Examples of additional equipment furniture offered for rent.



A

Wall panel (250x100) (including the construction of the frame structure), 26.00 EUR + VAT.

Wall panel (250x50) (including the construction of the frame structure), 20.00 EUR + VAT.



Mounting of one wall-block constructions (without panel), 21.00 EUR + VAT.



B

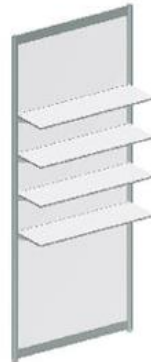
Wall-block with sliding doors (including mounting of panel constructions), 41.00 EUR + VAT.

Wall-block with hinged doors (including mounting of panel constructions), 56.00 EUR + VAT.



D

Built-in shelf, for example for placing TV, (100x30x120), 31.00 EUR + VAT. (h=120, max 30kg, wall-block is not included in the price).

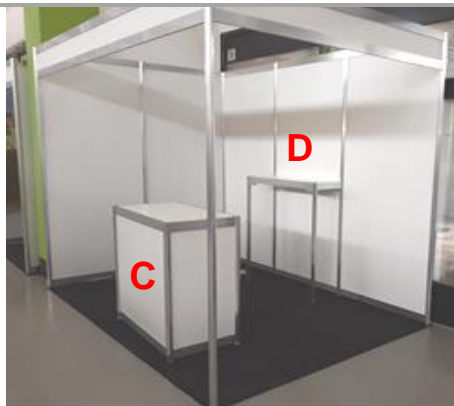


Built-in shelf (30x100), 16.00 EUR + VAT (per 1 shelf; h = optional, max 10kg, wall-block is not included in the price).



Circular wall block (250x100), 41.00 EUR + VAT.

Circular wall block (250x50), 31.00 EUR + VAT.



Example: equipped corner stand with cornice, information counter (C) and built-in shelf for TV (D).



Example: equipped stand with a built-in shelf TV (D) and showcase (100x50x250) with glass (E).



Example: equipped corner stand with 2 information counters (C) and table showcase (100x100x100) (F).

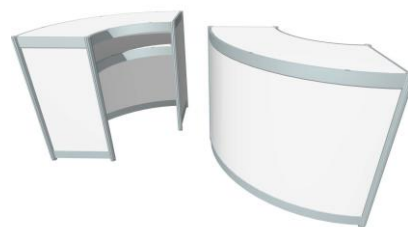


C

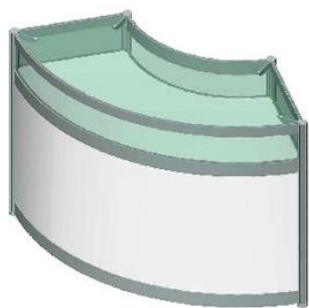
Information counter (100x50x100), with one shelf and non-lockable sliding door, 56.00 EUR + VAT.



Information counter (50 x 50, h=100), 41.00 EUR + VAT.



Curved information counter (50x100r=100, h=100), 66.00 EUR + VAT.



Curved table showcase (50x100x100, r=100), height of the glazed part 20 cm, 76.00 EUR + VAT.



Table showcase (50x50x100), height of the glazed part 20 cm, 51.00 EUR + VAT.



F

Table showcase (100x100x100), height of the glazed part 20 cm, 71.00 EUR + VAT.



Showcase with 2 shelves and glass (50x50x250), 81.00 EUR + VAT.

E



Lockable showcase with 2 shelves and glass (100x50x250), 96.00 EUR + VAT.



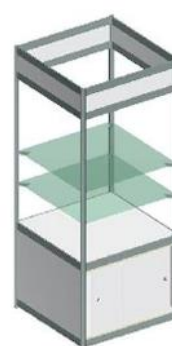
Lockable showcase with 2 shelves and glass (100x100x250), 106.00 EUR + VAT.



Showcase with 2 shelves without glass
(50x50x250), 66 EUR + VAT.



Showcase with 2 shelves without glass
(50x100x250), 76.00 EUR + VAT.



Showcase with 2 shelves without glass
(100x100x250), 81.00 EUR + VAT.



Podium (100x100, h=30),
31.00 EUR + VAT.
(without side filling, max 30kg)



Podium (500x100, h=30),
26.00 EUR + VAT.
(without side filling, max 30kg)



Coffee table (60x100 cm, h=42),
76.00 EUR + VAT.



Swing-up brochure holder (grey) (A4, x5
positions, h=155 cm), 46.00 EUR + VAT.



Swing-up brochure holder (black)
(A4, x5 positions, h=155cm),
46.00 EUR + VAT.



Brochure holder (A4, x5 positions),
metal, grey, fastened to wall structures,
8.00 EUR + VAT.



Clothes hanger stand, ($h=203$ cm),
31.00 EUR + VAT.



Built-in clothes hanger ($h =$ optional,
wall-block is not included in the price),
26.00 EUR + VAT.



Additional (standard) lighting (LED,
10W), suitable for indoor use,
14.00 EUR + VAT.

4. Tables and chairs available for rent.



Small round table ($d=81.3$, $h=74.3$ cm,
light grey) – 11.00 EUR + VAT.

Tablecloth for round table ($d=210$ cm,
white) – 15.00 EUR + VAT.



Large round table ($d=122$, $h=74.3$ cm,
light grey) – 12.00 EUR + VAT.

Tablecloth for round table ($d=210$ cm,
white) – 15.00 EUR + VAT.



Squared table (182.9×75.2 , $h=74.3$ cm,
light grey) – 13.00 EUR + VAT.

Tablecloth (154×245 cm, white) –
15.00 EUR + VAT.



Bar type table ($d=81.3$, $h=110$ cm, light
grey) – 13.00 EUR + VAT.



Elastic tablecloth for bar type table: white, grey, black or red – 15.00 EUR + VAT.



Squared table (80x80cm, h=75 cm.).
56.00 EUR + VAT.



Bar type chair (35x35, h=94cm, white,
black or dark gray surface),
26.00 EUR + VAT.



Banquet type chair (38x40, h =96cm,
white surface), 26.00 EUR + VAT.



Folding chair (47x55.6, h=84cm, light
grey), 6.00 EUR + VAT.



Banquet type chair (44x46, h=93cm,
black with brown dots), 8.00 EUR + VAT.



Bar type chair (35x35, h=94cm, black
surface), 9.00 EUR + VAT.

5. Laying a coloured carpet in stand.

Laying of grey carpet (*without* a protective film) in non-equipped stands, 7.00 EUR / sq.m + VAT.

Laying of coloured carpet (*ticker and with* protective film), non-equipped stands, 9.00 EUR / sq.m + VAT.

** For equipped stands – grey carpet colour change to coloured carpet, 4.00 EUR / sq.m + VAT.*

→ The table below summarizes the available colours. **Important:** Actual colours may vary, due to different device screen settings. Samples of carpets are available at the Exhibition office!

4058 PURPER



3456 FUCHSIA



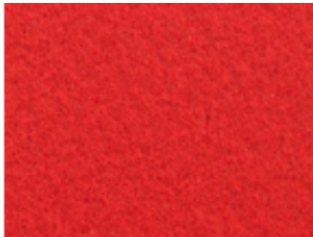
3307 OPERA RED



3037 FIRE



3039 VERMILJOEN



3032 CERISE



4033 FLAMME



4680 SAFRAN



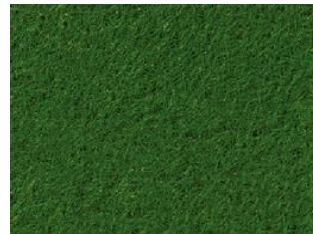
4321 YELLOW



6063 GEELGROEN



6432 FOREST



6065 BR GREEN



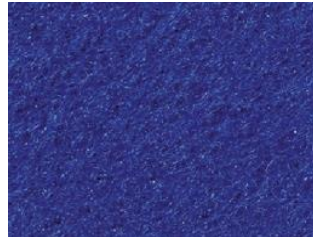
6064 VERT BOUTEIL



5054 BLAUW



5055 HELBLAUW



5543 BLUE



2294 LT GREY



2022 LT GREY



2024 GRIJS



2020 MIX GREY



2021 BLACK



1005 WHITE



1017 LAMA



1234 SAND



In order to apply for additional services and order equipment and furniture, please send a list of additional services and furniture you are interested to rent to our e-mail address izstade@ramava.lv.

More detailed information about the ordering process is available also in the [Participation terms](#).

We will be happy to answer your questions!

Exhibition office (A.M.L. SIA)

E-mail: izstade@ramava.lv

Phone: **+371 67600409**

Business centre RĀMAVA (hall, 1st floor)

Homepage: www.ramava.lv

PAVASARIS

APRIL 4-6

2024